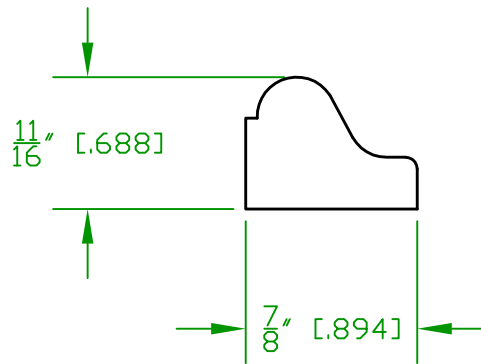


Note: Custom knives are property of Cortland Hardwoods.  
 The charge for tooling covers material cost & labor only. It is not a fee  
 to purchase tooling. Tooling may be purchased for additional fees.

Knife #	CH207-2	Rev
---------	---------	-----



Drawing Approval \_\_\_\_\_ Date \_\_\_\_\_

	Cortland Hardwood Products, LLC.			DWG NO. CH207-2
	Description			
	Base Cap			
	Date	07-10-18	Ref	
Scale	N.T.S.	KH	Sheet	1 of 1